

WALL OR POLE MOUNTED

BT8330

SYSTEM X™

UNIVERSAL

MENU BOARD

MOUNTING SYSTEM



The BT8330 is a modular mounting system designed for menu board installations of any length. As part of the new System X Range, the BT8330 can be used in thousands of different configurations and must be ordered according to your requirements. This process is made easy using B-Tech's online configuration tool - simply visit www.btechavmounts.com/systemx-configurator and enter a few details (such as number of screens and their size) and the configurator will select all of the components needed and create a single part code with which to place your order.

SPECIFICATION

Recommended screen size	32" - 65"
Max load	50kg (per screen)
VESA® & non-VESA fixings	200 x 200 up to 800 x 400*
Tilting option	+20°
Colour (VESA arms)	Black
Colour (horizontal rail)	Silver

*Please note screens with VESA patterns larger than 400 x 400 need to use additional adaptors (BT7564) when used in portrait mode, these are available separately.

FEATURES

- Universal design suitable for all sized screens up to 50kg (per screen)
- High-end aesthetic quality
- Can be used in a variety of configurations
- Wall or ceiling mounted options available
- Suitable for landscape or portrait screen mounting
- Multiple rail lengths available (rails can also be joined)
- Available with a choice of fixed, tilting or micro-adjustment arms
- All arms feature levelling screws to adjust the screen height
- Tilt arms feature up to +20° tilt
- Micro-adjustment arms allow screen depth to be adjusted at each corner
- Safety screws help prevent unauthorised removal of screens



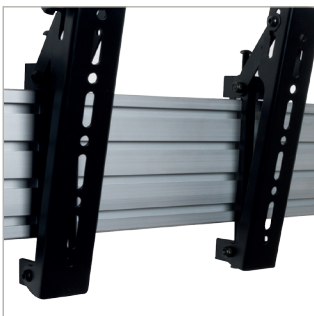
CREATE YOUR MOUNTING SYSTEM ONLINE

SPECIFY YOUR REQUIREMENTS ONLINE AND OUR CONFIGURATION TOOL WILL CREATE A BT8330 KIT TO SUIT YOUR EXACT NEEDS



Menu board installations can vary dramatically from one install to the next, so the BT8330 has been designed on a modular principle with over 2000 different configurations available! Any BT8330 solution ordered will be configured to your exact requirements and then created from our catalogue of System X components which are all held in stock. Visit our online configuration tool to specify your requirement where you can choose from different options such as screen size, orientation and pole-length (for ceiling mounted installs).

Try now at www.btechavmounts.com/systemx-configurator



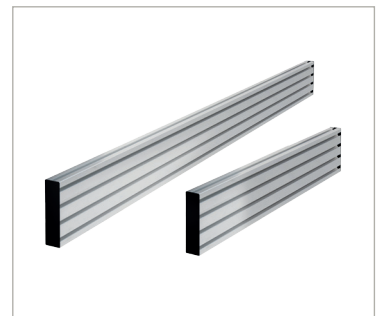
Premium finish gives a contemporary, high-end aesthetic quality



Tilt arms feature +20° tilt adjustment



A choice of interface arms are available: VESA 200 fixed, VESA 200 tilt, VESA 400 fixed, VESA 400 tilt and VESA 400 with micro-adjustment



Rails are available in 0.7m, 1.5m, 1.75m and 2m lengths but can also be joined together. However, our configuration tool will do all calculations for you and work out the required length needed



TECHNICAL DRAWINGS

CREATING YOUR BT8330 KIT 



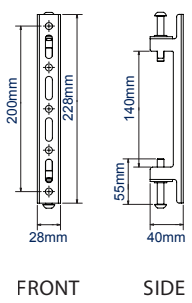
B-TECH AUDIO VIDEO MOUNTS

BT8330 mounting kits are created to your exact requirements from our extensive range of System X components, which are all held in stock. The technical drawings here show the core components of the kit - the various Interface Arms, Wall Fixing Plates and Mounting Rails that are available. These rails can be also joined together using **BT8390-EXT** Extension Kit to create greater lengths.

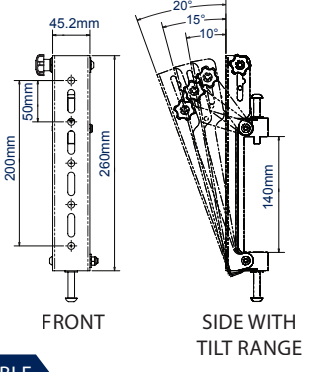
Ceiling mounted BT8330 kits are supplied with all necessary ceiling mounts, poles (choice of pole lengths are available) and collars, so do not need to be ordered separately. Please visit our System X online configuration tool at www.btechavmounts.com/systemx-configurator to specify your requirements. All dimensions will be automatically calculated and a complete mounting solution with all required parts will be created for you.

VESA 200 INTERFACE ARMS AVAILABLE

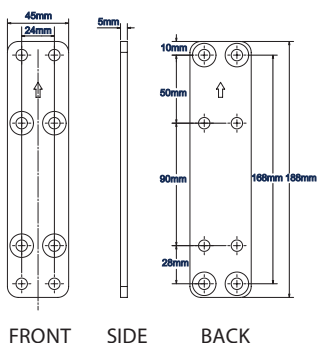
BT8390-VESA200F
FIXED VESA 200 ARMS



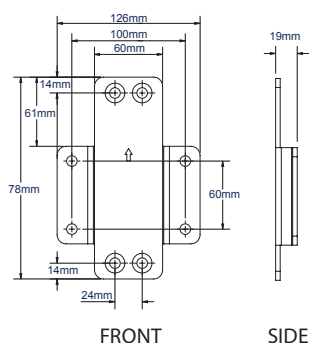
BT8390-VESA200T
VESA 200 ARMS WITH TILT



BT8390-WFK1
USE WITH FIXED AND TILT ARMS

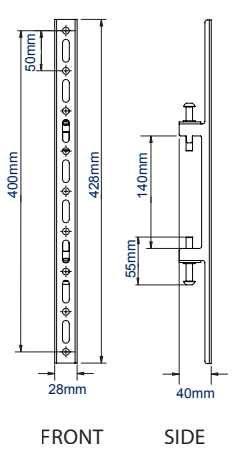


BT8390-WFK2
USE WITH MICRO-ADJUSTMENT ARMS

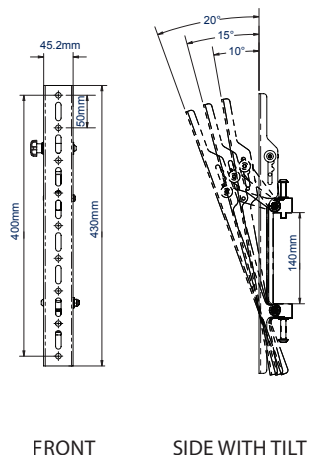


VESA 400 INTERFACE ARMS AVAILABLE

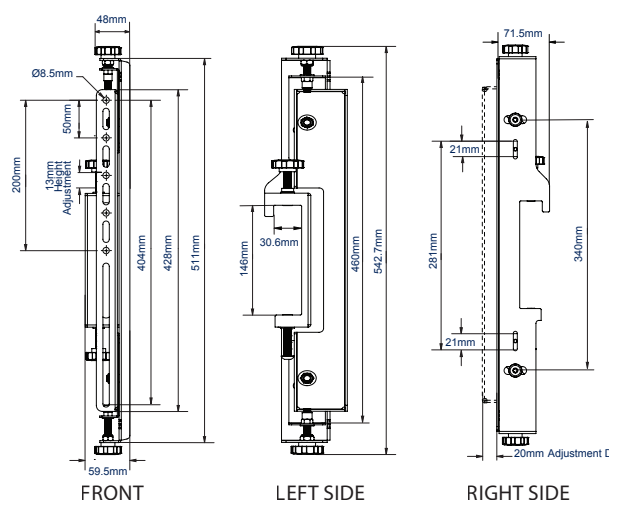
BT8390-VESA400F
FIXED VESA 400 ARMS



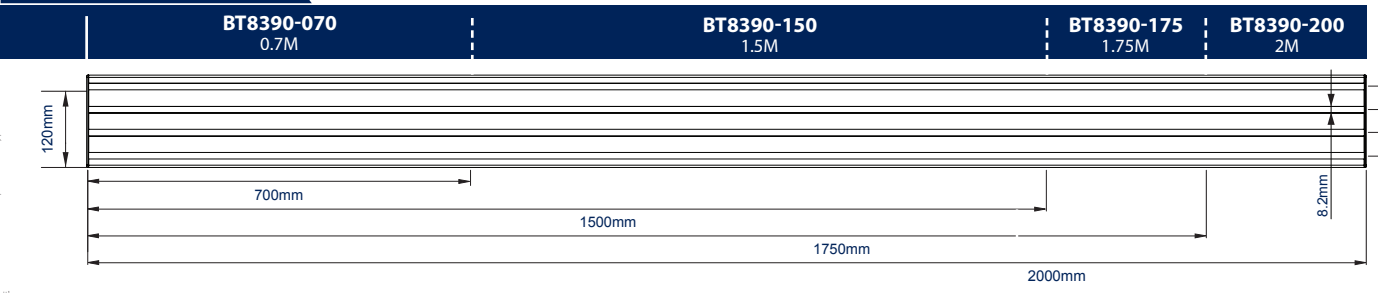
BT8390-VESA400T
VESA 400 ARMS WITH TILT



BT8390-VESA400MAF
FIXED VESA 400 ARMS WITH MICRO-ADJUSTMENT



MOUNTING RAILS AVAILABLE



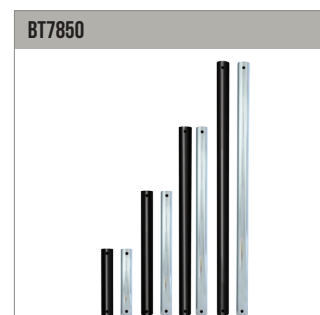
ACCESSORIES AND RELATED PRODUCTS



BT8340
Universal Mounting System for video walls and menu boards with multiple rows



BT7822
Heavy Duty Ceiling Mount included with all ceiling mounted BT8330 kits



BT7850
Ø50mm Poles included with all ceiling mounted BT8330 kits



BT7051
Heavy Duty Accessory Collar included with all ceiling mounted BT8330 kits

© 2015 B-Tech Av Mounts. All rights reserved. The information in this specific technical specification is the property of B-Tech Av Mounts. No part of this publication may be reproduced, stored in a retrieval system, or transmitted, in any form or by any means, without the prior written permission of B-Tech Av Mounts. B-Tech Av Mounts is not responsible for any damage or loss of data caused by improper installation or use of its products. Any reproduction or transmission of this specification is strictly prohibited unless prior written permission has been granted by B-Tech Av Mounts Ltd. (BTL).

SS-BT8330-V1-300915